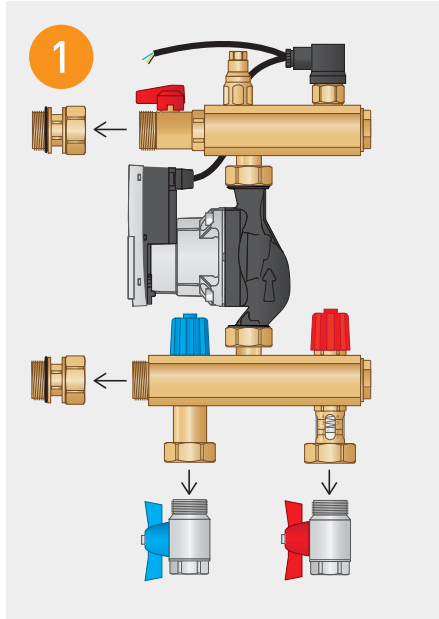
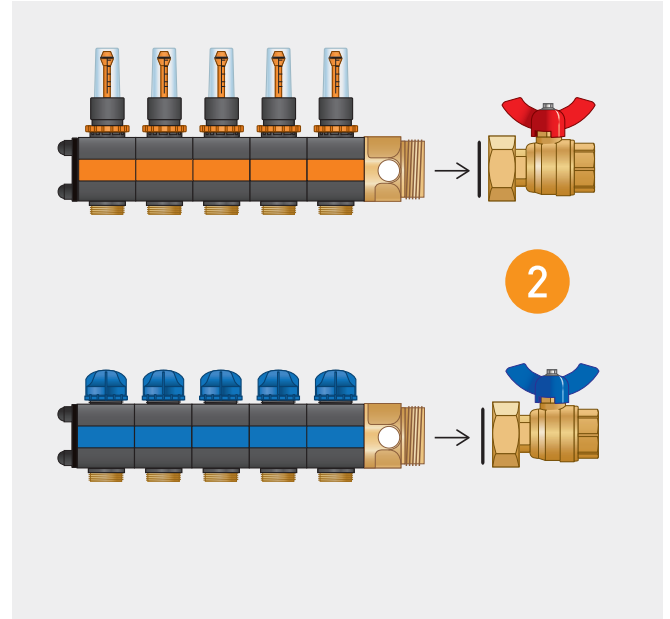


# VarioManifold to Pumped VarioManifold

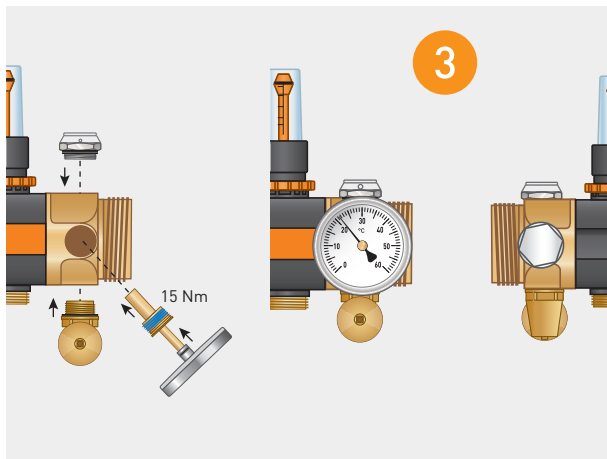
Conversion of the VarioManifold for use with the Pumped VarioManifold



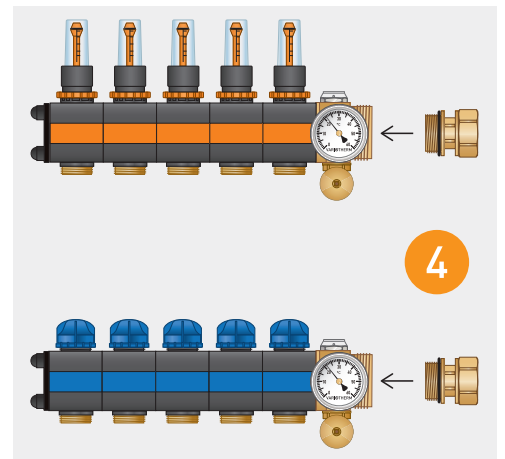
Unscrew the connection screws and ball valves from the base block (item no. PVS43).



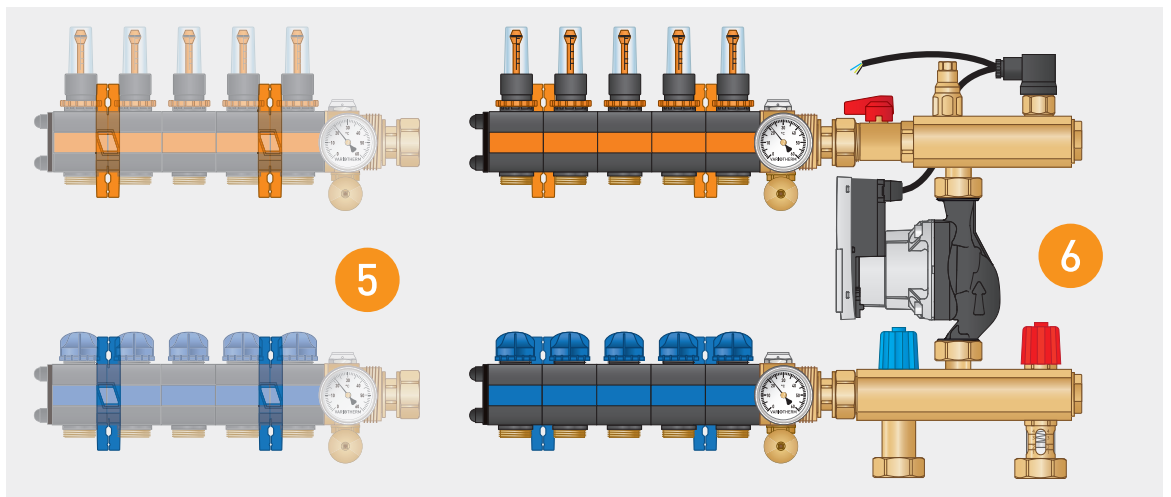
Remove the ball valve 1" female x 6/4" from the distributor block, and remove the seals (ball valves and seals are not required).



Install the filling/emptying taps, manual vents, immersion sleeves for thermometers and blank plugs on the connecting block.



Screw in and tighten the connection screws from the base block into both distributor blocks.



Screw the bracket set onto the blocks.

Screw the base block to the distributor blocks.

**Pack accessories such as labels, thermometers, pump operating instructions, ball valves for base block and screws for the bracket set together with the pumped manifold.**