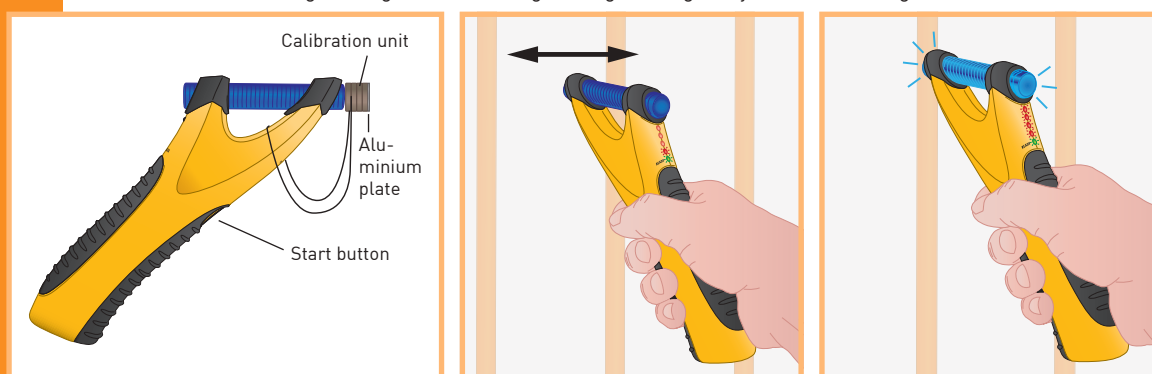


The Variotherm pipe locator detects VarioProFile pipes 16x2 / 11.6x1.5 and Variomodular pipes 11.6x1.5 in:

- System wall heating/cooling
- EasyFlex wall heating/cooling
- Module wall heating/cooling
- Module ceiling cooling/heating
- Compact floor heating

Measuring procedure – pipe covering of 4 - 8 mm

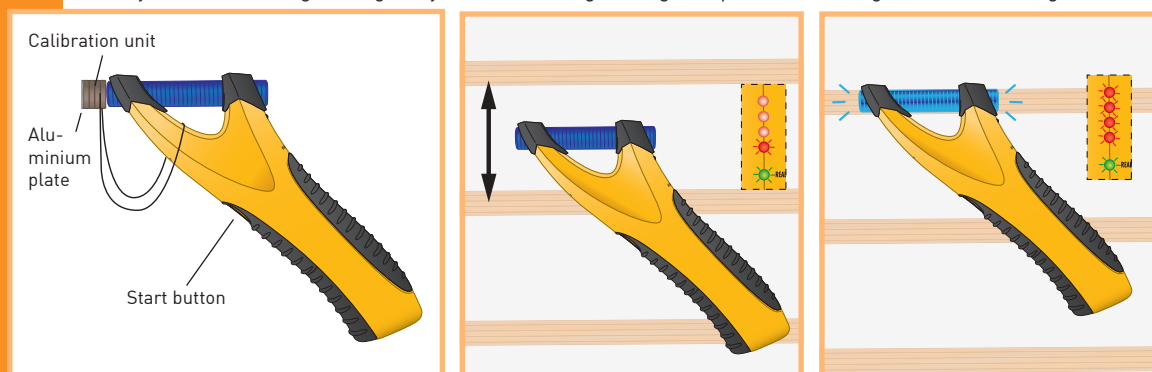
(Module wall heating/cooling, module ceiling cooling/heating, EasyFlex wall heating EWH77F)



- Hold device up in the air and away from any metal parts (perpendicular to the surface to be scanned).
- Move calibration unit onto point sensor (aluminium plate of the calibration unit, outer side).
- Press and hold start button. After about 2 seconds, the green LED lights up.
- Pipe location: Slowly scan the surface. The red LEDs and the longitudinal sensor's blue light along with a beeping sound will indicate the position of the pipe.
- When releasing the start button, the device is switched off.

Measuring procedure – pipe covering of 9 - 16 mm

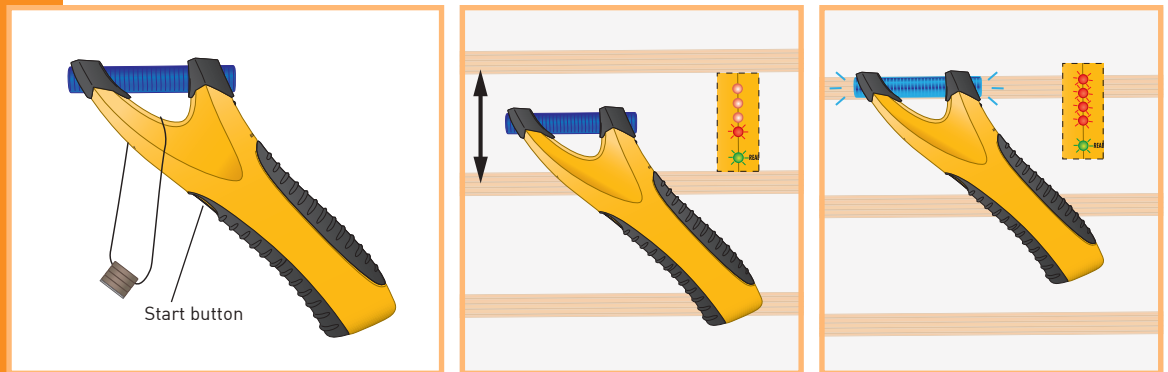
(System wall heating/cooling, EasyFlex wall heating/cooling, compact floor heating incl. floor covering)



- Hold device up in the air and away from any metal parts (parallel to the surface to be scanned).
- Move calibration unit onto point sensor (aluminium plate of the calibration unit, outer side).
- Press and hold start button. After about 2 seconds, the green LED lights up.
- Pipe location: Slowly scan the surface. The red LEDs and the longitudinal sensor's blue light along with a beeping sound will indicate the position of the pipe.
- When releasing the start button, the device is switched off.

Measuring procedure – pipe covering of 17 - 25 mm

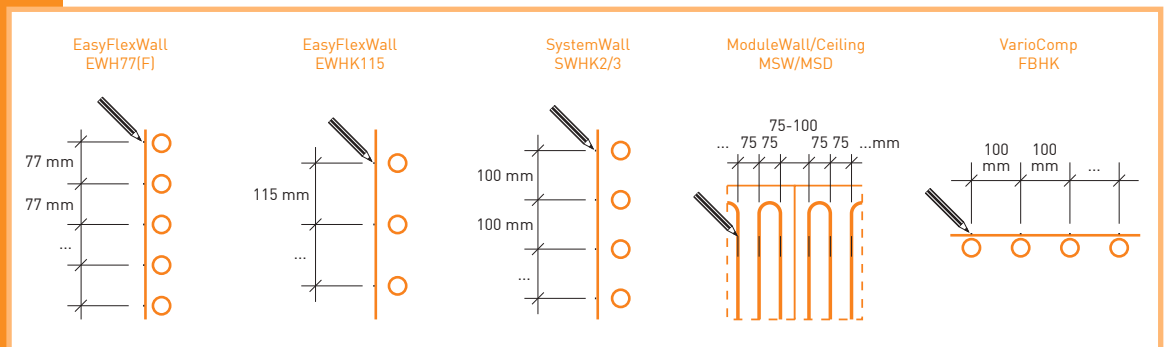
(System wall heating/cooling – thick layer of plasterwork)



- Hold device up in the air and away from any metal parts (parallel to the surface to be scanned).
- Press and hold start button. After about 2 seconds, the green LED lights up.
- Pipe location: Slowly scan the surface. The red LEDs and the longitudinal sensor's blue light along with a beeping sound will indicate the position of the pipe.
- When releasing the start button, the device is switched off.

Note

Jewellery (for example, rings and bracelets) may affect calibration and the scanning results and must therefore be removed prior to starting the device.

Checking the scanning results by marking them with a fine pencil line

Old appliances and batteries contain valuable raw materials and may not be disposed in the household waste! Shops selling batteries and municipal battery collection points accept old appliances and used batteries free of charge.